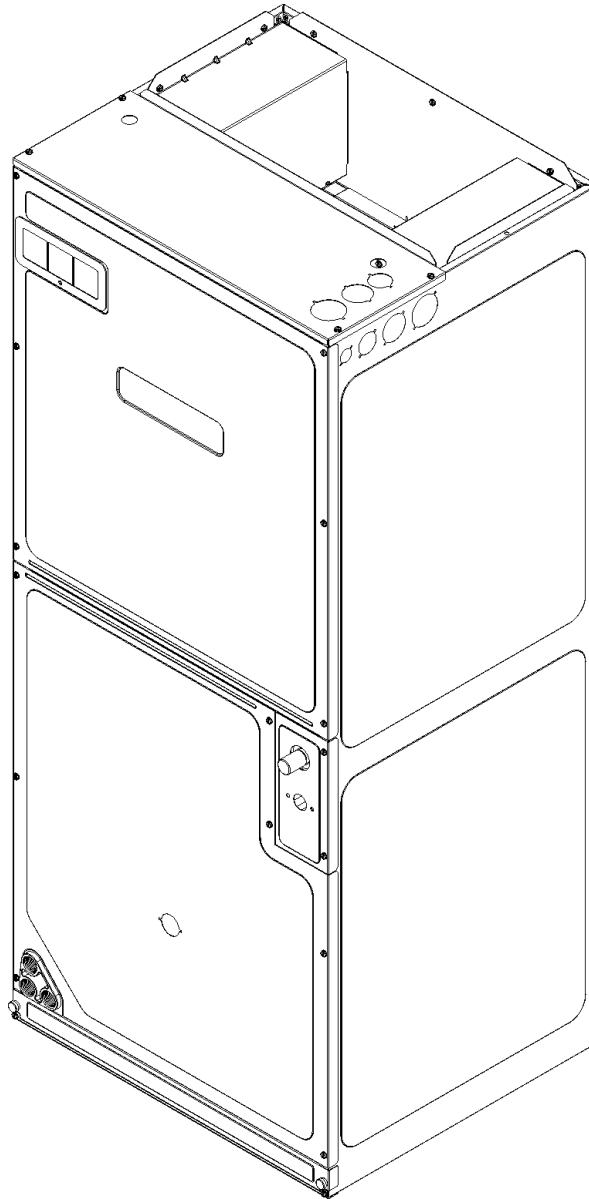


REPAIR PARTS

ARUF Air Handlers

ARUF18B14AA
ARUF18B14AB
ARUF24B14AA
ARUF24B14AB
ARUF24B14BA
ARUF30B14AA
ARUF30B14AB
ARUF30C14BA
ARUF36C14AA
ARUF36C14BA
ARUF36C14BB
ARUF42C14AA
ARUF42C14AB
ARUF42C14AC
ARUF48D14AA
ARUF48D14AB
ARUF60D14AA
ARUF60D14AB



This manual is to be used by qualified technicians only.

This manual replaces RP-702B.

© 2012-2013 Goodman Manufacturing Company, L.P. ♦ 5151 San Felipe, Suite 500 ♦ Houston, TX 77056

Important Information

Index

Functional Parts List	3
Illustration and Parts	4 - 9

Views shown are for parts illustrations only, not servicing procedures.

Rev A: ARUF performance improvement
Rev B: addition of ARUF36C14BB & ARUF42C14AC models
Rev C: Addition of ARUF30C14BA (ARUF30 Redesign Project)

Text Codes:

AR - As Required
NA - Not Available
NS - Not Shown
00000000 - See Note
QTY - Quantity Example (QTY 3) (If Quantity not shown, Quantity = 1)
M - Model Example (M1) (If M Code not shown, then part is used on all Models)

Expanded Model Nomenclature:

Example M1 - Model#1 M2 - Model#2 M3 - Model#3

Goodman Manufacturing Company, L.P. is not responsible for personal injury or property damage resulting from improper service. Review all service information before beginning repairs.

Warranty service must be performed by an authorized technician, using authorized factory parts. If service is required after the warranty expires, Goodman Manufacturing Company, L.P. also recommends contacting an authorized technician and using authorized factory parts.

Goodman Manufacturing Company, L.P. reserves the right to discontinue, or change at any time, specifications or designs without notice or without incurring obligations.

For assistance within the U.S.A. contact:
Consumer Affairs Department
Goodman Manufacturing Company, L.P.
7401 Security Way
Houston, Texas 77040
877-254-4729-Telephone
713-863-2382-Facsimile

For assistance outside the U.S.A. contact:
International Division
Goodman Manufacturing Company, L.P.
7401 Security Way
Houston, Texas 77040
713-861-2500-Telephone
713-863-2382-Facsimile

Functional Parts

Part

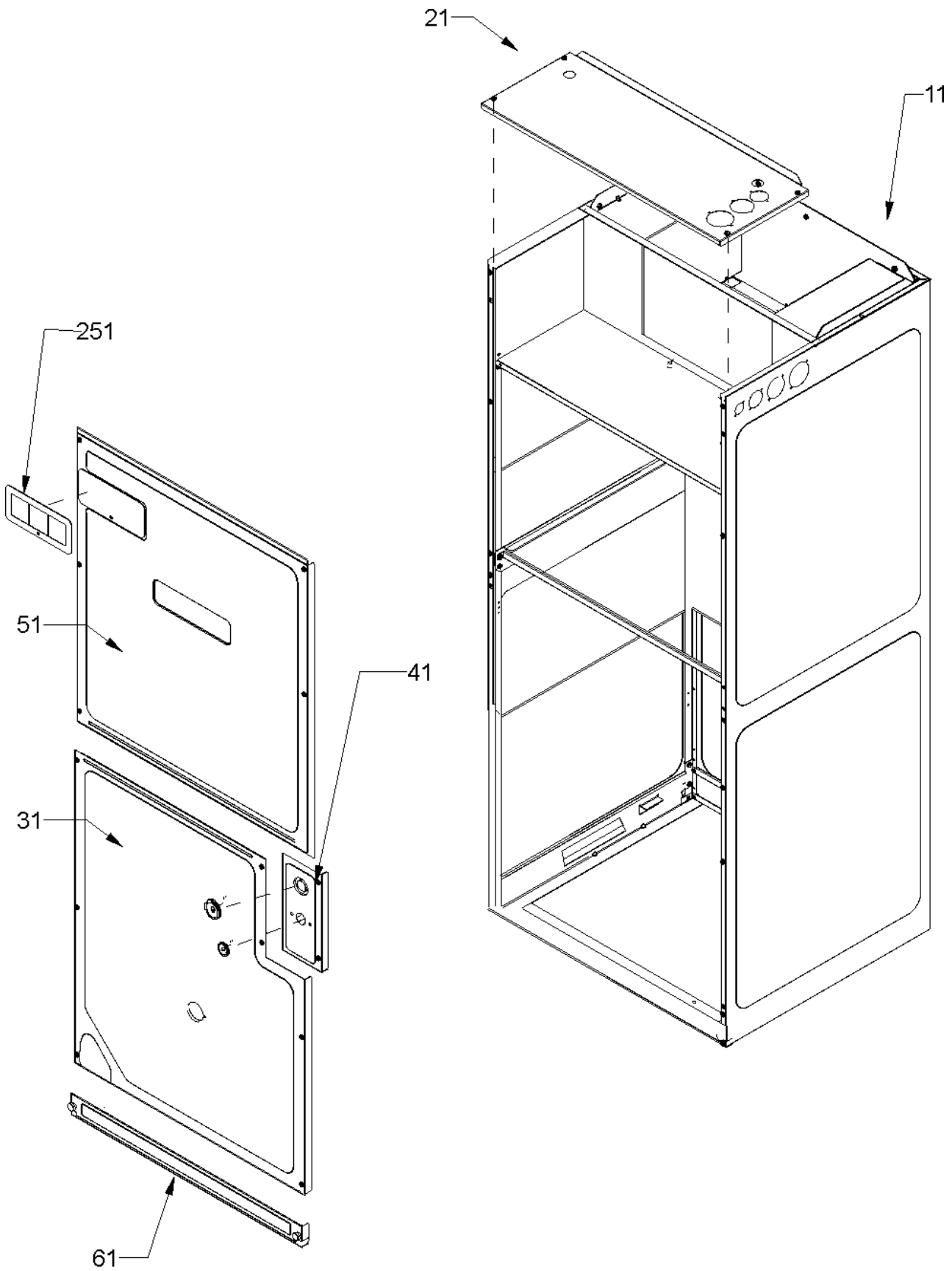
No: Description:

11091204	BLOWER MOTOR 1/2 HP, 3 SP, 8 PL (M15, M16)
0131M00005P	BLOWER MOTOR 1/3 HP, 3 SP, 6 PL (M1, M2, M3, M4, M5, M6, M7)
11091203S	BLOWER MOTOR 1/3 HP, 3 SP, 6 PL (M8, M9, M10, M11, M12, M13, M14)
0131M00297	BLOWER MOTOR, 3/4 HP, 3 SP (M17, M18)
D6723311	BLOWER WHEEL (M17, M18)
B1368058	BLOWER WHEEL 10 X 8 (M8, M9, M10, M11, M12)
0150M00000	BLOWER WHEEL 9 X 6 (M1, M2, M3, M4, M5, M6, M7)
0150M00037	BLOWER WHEEL, 10 X 10 (M13, M14, M15, M16)
CAP100000370VA	CAPACITOR 10/370V [BLOWER] (M1, M2, M3, M4, M5, M6, M7, M8, M9, M10, M11, M12, M13, M14)
CAP150000370VA	CAPACITOR 15/370V (M15, M16)
CAP250000370RP	CAPACITOR 25/370V (M17, M18)
PCBFM131	ELECTRONIC BLOWER TIME DELAY RELAY
B1141643	TRANSFORMER 208/230, 24V

Expanded Model Nomenclature

M1 - ARUF18B14AA
M2 - ARUF18B14AB
M3 - ARUF24B14AA
M4 - ARUF24B14AB
M5 - ARUF24B14BA
M6 - ARUF30B14AA
M7 - ARUF30B14AB
M8 - ARUF30C14BA
M9 - ARUF36C14AA
M10 - ARUF36C14BA
M11 - ARUF36C14BB
M12 - ARUF42C14AA
M13 - ARUF42C14AB
M14 - ARUF42C14AC
M15 - ARUF48D14AA
M16 - ARUF48D14AB
M17 - ARUF60D14AA
M18 - ARUF60D14AB

Cabinet Assy



Cabinet Assy

Ref. Part No: No:	Description:	Ref. Part No: No:	Description:
-------------------	--------------	-------------------	--------------

Image 1:

11	0270A00655	Wrapper Assy, Unpainted (M1, M2, M3, M4, M5, M6, M7)
11	0270A00689	Wrapper Assy, Unpainted (M8, M9, M10, M11, M12, M13, M14)
11	0270A00690	Wrapper Assy, Unpainted (M15, M16, M17, M18)
21	0121A00252PDG	Plate, Upper Tie, Ptd (M1, M2, M3, M4, M5, M6, M7)
21	0121A00253PDG	Plate, Upper Tie, Ptd (M8, M9, M10, M11, M12, M13, M14)
21	0121A00254PDG	Plate, Upper Tie, Ptd (M15, M16, M17, M18)
31	0121A00248PDG	Panel, Lower Access, Ptd (M1, M2, M3, M4, M5, M6, M7)
31	0121A00249PDG	Panel, Lower Access, Ptd (M8, M9, M10, M11, M12, M13, M14)
31	0121A00250PDG	Panel, Lower Access, Ptd (M15, M16, M17, M18)
41	0121A00251PDG	Panel, Refrigerant Tubing, Ptd
51	0121A00178PDG	Panel, Upper Access, Ptd (M15, M16, M17, M18)
51	0121A00209PDG	Panel, Upper Access, Ptd (M8, M9, M10, M11, M12, M13, M14)
51	0121A00210PDG	Panel, Upper Access, Ptd (M1, M2, M3, M4, M5, M6, M7)
61	0121A00242PDG	Panel, Filter Access, Ptd (M1, M2, M3, M4, M5, M6, M7)
61	0121A00243PDG	Panel, Filter Access, Ptd (M8, M9, M10, M11, M12, M13, M14)
61	0121A00244PDG	Panel, Filter Access, Ptd (M15, M16, M17, M18)
251	B1392641	PLASTIC CIRCUIT BREAKER INSERT
NS	BT1369063	90 DEGREE STUB
NS	B1392630	GROMMET
NS	0163A00016	Thumb Screw (QTY 2)

Expanded Model Nomenclature

M1 - ARUF18B14AA
M2 - ARUF18B14AB
M3 - ARUF24B14AA
M4 - ARUF24B14AB
M5 - ARUF24B14BA
M6 - ARUF30B14AA
M7 - ARUF30B14AB
M8 - ARUF30C14BA
M9 - ARUF36C14AA
M10 - ARUF36C14BA
M11 - ARUF36C14BB
M12 - ARUF42C14AA
M13 - ARUF42C14AB
M14 - ARUF42C14AC
M15 - ARUF48D14AA
M16 - ARUF48D14AB
M17 - ARUF60D14AA
M18 - ARUF60D14AB

Control Panel / Coil Assy

IMAGE 1

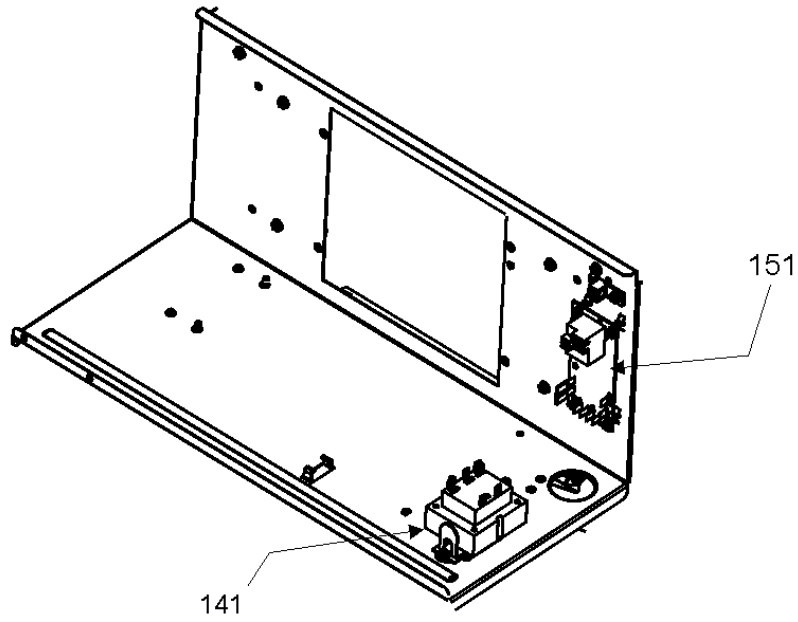
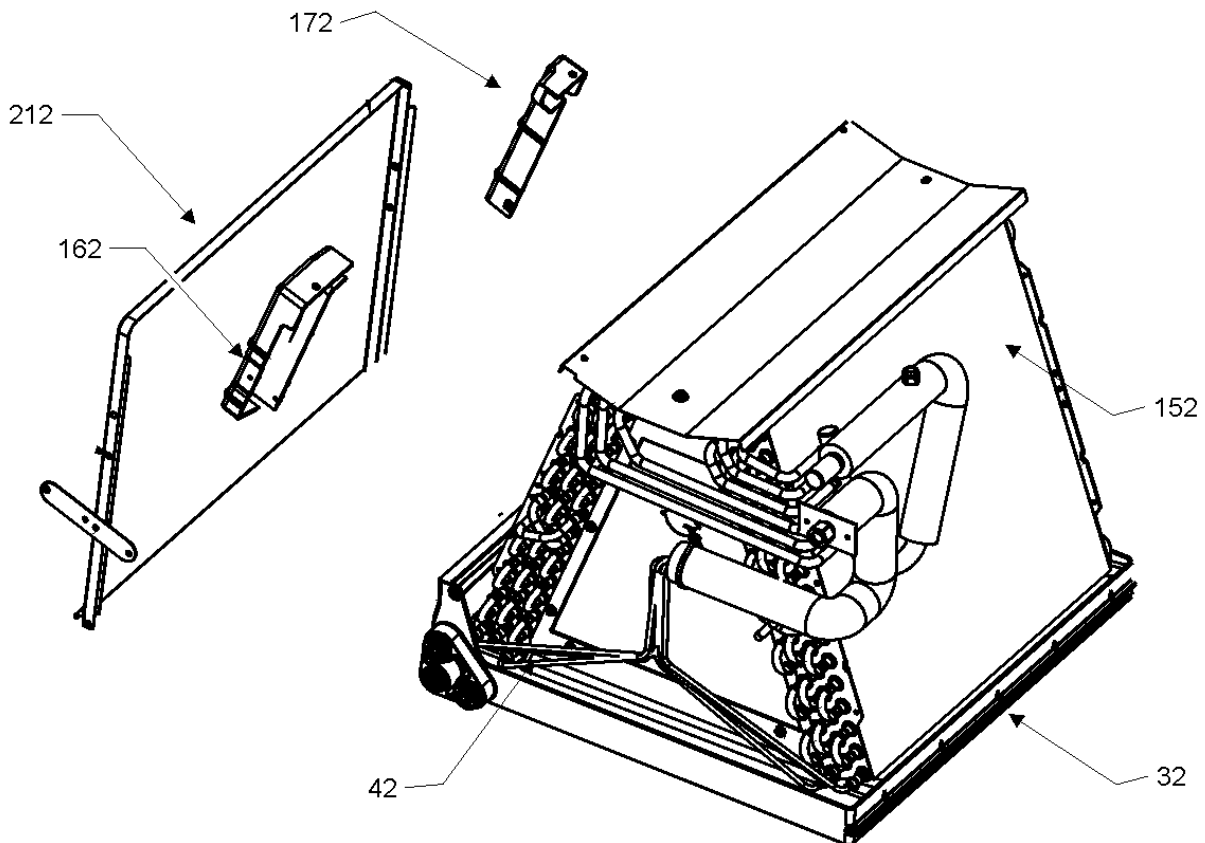


IMAGE 2



Control Panel / Coil Assy

Ref. Part No: No:	Description:	Ref. Part No: No:	Description:
<i>Image 1:</i>		Expanded Model Nomenclature	
141	B1141643	TRANSFORMER 208/230, 24V	M1 - ARUF18B14AA
151	PCBFM131	ELECTRONIC BLOWER TIME DELAY RELAY	M2 - ARUF18B14AB
NS	0259A00012P	WIRE ASSY, 9 PIN FEMALE CONN.	M3 - ARUF24B14AA
NS	0259A00013P	WIRE ASSY, 9 PIN MALE CONN.	M4 - ARUF24B14AB
<i>Image 2:</i>		M5 - ARUF24B14BA	
32	0161A00026	DRAIN PAN (M1, M2, M3, M4, M5, M6, M7)	M6 - ARUF30B14AA
32	0161A00027	DRAIN PAN (M8, M9, M10, M11, M12, M13, M14)	M7 - ARUF30B14AB
32	0161A00028	DRAIN PAN (M15, M16, M17, M18)	M8 - ARUF30C14BA
42	0162A00100	FLOWRATOR W/ BRACKET (M1, M2)	M9 - ARUF36C14AA
42	0162A00102	FLOWRATOR W/ BRKT (M8)	M10 - ARUF36C14BA
42	0162A00081	FLOWRATOR W/BRKT (M6, M7)	M11 - ARUF36C14BB
42	0162A00082	FLOWRATOR W/BRKT (M12, M13, M14)	M12 - ARUF42C14AA
42	0162A00083	FLOWRATOR W/BRKT (M9, M10, M11)	M13 - ARUF42C14AB
42	0162A00084	FLOWRATOR W/BRKT (M15, M16)	M14 - ARUF42C14AC
42	0162A00092	FLOWRATOR W/BRKT (M3, M4)	M15 - ARUF48D14AA
42	0162A00093	FLOWRATOR W/BRKT (M17, M18)	M16 - ARUF48D14AB
42	0162A00096	FLOWRATOR W/BRKT (M5)	M17 - ARUF60D14AA
152	0270A00668	COIL TUBING ASSY (M12, M13)	M18 - ARUF60D14AB
152	0270A00669	COIL TUBING ASSY (M9)	
152	0270A00671	COIL TUBING ASSY (M6)	
152	0270A00683	COIL TUBING ASSY (M1, M3)	
152	0270A00684	COIL TUBING ASSY (M15, M17)	
152	0270A00695	COIL TUBING ASSY (M2)	
152	0270A00696	COIL TUBING ASSY (M4)	
152	0270A00700	COIL TUBING ASSY (M7)	
152	0270A00701	COIL TUBING ASSY (M11)	
152	0270A00703	COIL TUBING ASSY (M14)	
152	0270A00706	COIL TUBING ASSY (M16)	
152	0270A00707	COIL TUBING ASSY (M18)	
152	0270A00710	COIL TUBING ASSY (M5)	
152	0270A00712	COIL TUBING ASSY (M10)	
152	0270A00742	COIL TUBING ASSY (M8)	
162	0161A00024	Plastic Condensate Collector	
172	0161A00025	Plastic Condensate Collector	
212	0121A00304PDG	Drip Shield, Ptd (M1, M2, M3, M4, M5, M6, M7)	
212	0121A00305PDG	Drip Shield, Ptd (M8, M9, M10, M11, M12, M13, M14)	
212	0121A00306PDG	Drip Shield, Ptd (M15, M16, M17, M18)	
NS	0163M00175	CAP WITH O-RING	
NS	0154A00003BL	Gasket, Drain Pan	
NS	B1787000	VALVE CORE	

Blower Components

Image 1

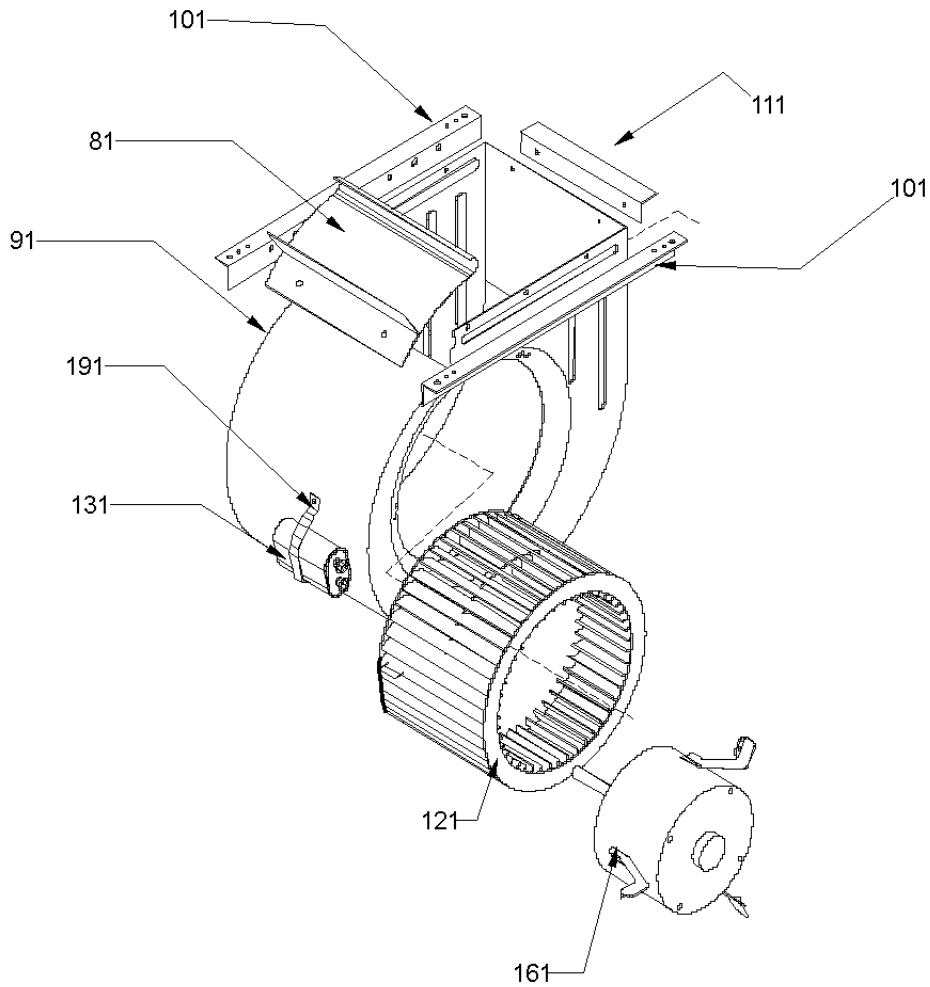
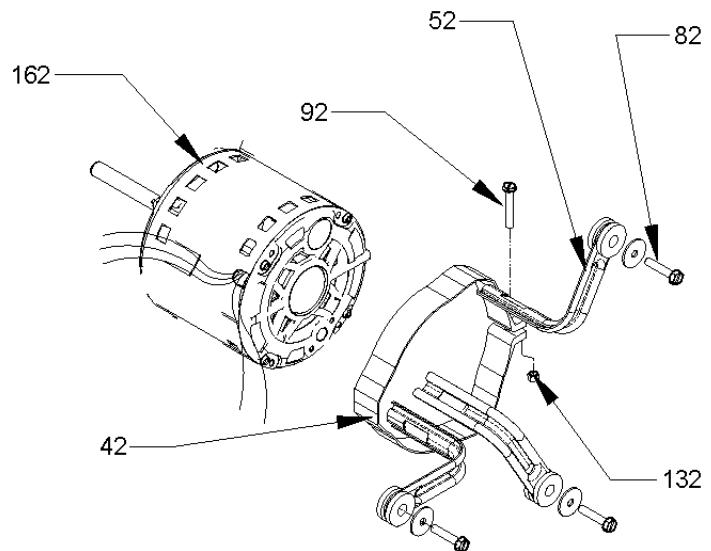


Image 2



Blower Components

Ref. Part No:	No:	Description:	Ref. Part No:	No:	Description:
<i>Image 1:</i>			Expanded Model Nomenclature		
81	764741F	BLOWER BLOCK-OFF 10 X 10 (M13, M14, M15, M16)	M1 - ARUF18B14AA		
81	1864700	BLOWER CUT-OFF 10 X 10 (M17, M18)	M2 - ARUF18B14AB		
81	764733F	BLOWER CUT-OFF 9 X 6 (M1, M2, M3, M4, M5, M6, M7)	M3 - ARUF24B14AA		
81	764740	BLWR BLK-OFF,10X8 (M8, M9, M10, M11, M12)	M4 - ARUF24B14AB		
91	0271A00016	ASSY, BLOWER SHELL (M13, M14, M15, M16)	M5 - ARUF24B14BA		
91	0271A00013	ASSY, BLOWER SHELL (11 X 10) (M17, M18)	M6 - ARUF30B14AA		
91	0271A00029	BLOWER HOUSING ASSY 10 X 8 (M8, M9, M10, M11, M12)	M7 - ARUF30B14AB		
91	1439389	BLOWER SHELL ASM F/ 9X6 WHL (M1, M2, M3, M4, M5, M6, M7)	M8 - ARUF30C14BA		
101	0121A00275	Rail, Blower (M17, M18)	M9 - ARUF36C14AA		
101	0121A00336	Rail, Blower (M1, M2, M3, M4, M5, M6, M7)	M10 - ARUF36C14BA		
111	0121A00337	Angle, Blower Mounting (M1, M2, M3, M4, M5, M6, M7)	M11 - ARUF36C14BB		
111	0121A00353	Angle, Blower Mounting (M17, M18)	M12 - ARUF42C14AA		
121	D6723311	BLOWER WHEEL (M17, M18)	M13 - ARUF42C14AB		
121	B1368058	BLOWER WHEEL 10 X 8 (M8, M9, M10, M11, M12)	M14 - ARUF42C14AC		
121	0150M00000	BLOWER WHEEL 9 X 6 (M1, M2, M3, M4, M5, M6, M7)	M15 - ARUF48D14AA		
121	0150M00037	BLOWER WHEEL, 10 X 10 (M13, M14, M15, M16)	M16 - ARUF48D14AB		
131	CAP100000370VA	CAPACITOR 10/370V [BLOWER] (M1, M2, M3, M4, M5, M6, M7, M8, M9, M10, M11, M12, M13, M14)	M17 - ARUF60D14AA		
131	CAP150000370VA	CAPACITOR 15/370V (M15, M16)	M18 - ARUF60D14AB		
131	CAP250000370RP	CAPACITOR 25/370V (M17, M18)			
161	0131M00005P	BLOWER MOTOR 1/3 HP, 3 SP, 6 PL (M1, M2, M3, M4, M5, M6, M7)			
161	11091203S	BLOWER MOTOR 1/3 HP, 3 SP, 6 PL (M8, M9, M10, M11, M12, M13, M14)			
191	1284835	CAPACITOR STRAP			
<i>Image 2:</i>					
42	0121M00039	MOTOR MOUNT BAND (HEAVY DUTY) (M15, M16, M17, M18)			
52	B1376863	MOTOR MOUNT ARM (HEAVY DUTY) (M15, M16, M17, M18)			
82	B1393309	MACHINE SCREW, 1/4-20 TPI X 3/4" LG (M1, M2, M3, M4, M5, M6, M7)			
82	B1393527	SCREW,HWH,14X1-1/2,A,BZ,SLOT (M17, M18)			
82	M0250558	TC SCREW (M8, M9, M10, M11, M12, M13, M14)			
82	M0250565	TC SCREW 1.25" (M15, M16)			
92	B1393323	MACHINE SCREW HWH 1/4-20 X 1-1/2 BZ (M15, M16, M17, M18)			
132	B1393800	LOCKNUT, NYLON, INSERT 1/4, 20 (M15, M16, M17, M18)			
162	11091204	BLOWER MOTOR 1/2 HP, 3 SP, 8 PL (M15, M16)			
162	0131M00297	BLOWER MOTOR, 3/4 HP, 3 SP (M17, M18)			